



MODULAR CUBER

INSTRUCTION MANUAL

(original instructions)

NÁVOD NA POUŽITIE

(pôvodný návod)

IM-130ANE-HC
IM-240ANE-HC
IM-240AWNE-HC

FOR END USER
PRE KONEČNÉHO UŽIVATEĽA



HOSHIZAKI EUROPE LIMITED

Telford 70 Stafford Park 7, Telford, Shropshire TF3 3BQ UK

L1E1GA203 (110521)

ENGLISH	IMPORTANT SAFETY INFORMATION	1
	I. INSTALLATION INSTRUCTIONS	3
	1. CONSTRUCTION	3
	2. LOCATION	3
	3. ELECTRICAL CONNECTIONS	4
	4. WATER SUPPLY AND DRAIN CONNECTIONS.....	4
	II. OPERATING INSTRUCTIONS.....	5
	1. START UP	5
	2. PREPARING THE ICEMAKER FOR LONG STORAGE.....	5
	III. MAINTENANCE.....	6
	1. CLEANING.....	6
	2. BEFORE CALLING FOR SERVICE.....	7
	3. DISPOSAL	7
	4. WARRANTY.....	8
	SPECIFICATIONS.....	9

SLOVENSKY	INFORMÁCIE O BEZPEČNOSTI	10
	I. POKYNY K INŠTALÁCIÍ.....	12
	1. KONŠTRUKCIA.....	12
	2. UMIESTNENIE.....	12
	3. ELEKTRICKÉ ZAPOJENIE.....	13
	4. DODÁVKA VODA A ZAPOJENIE ODPADU.....	13
	II. NÁVOD NA OBSLUHU.....	14
	1. SPUSTENIE STROJA.....	14
	2. PRÍPRAVA VÝROBNÍKA ĽADU NA DLHODOBÉ	
	SKLADOVANIE.....	14
	III. ÚDRŽBA	15
	1. ČISTENIE	15
	2. ODTRÁNENIE ZÁVAD PRED ZAVOLANÍM SERVISU	16
	3. LIKVIDÁCIA	16
	4. ZÁRUČNÉ PODMIENKY.....	17
	ŠPECIFIKÁCIE.....	18

IMPORTANT SAFETY INFORMATION

Throughout this manual, notices appear to bring your attention to situations which could result in death, serious injury, or damage to the unit.

▲WARNING	Indicates a hazardous situation which, if not avoided, could result in death or serious injury.
▲CAUTION	Indicates a hazardous situation which, if not avoided, could result in minor or moderate injury.
NOTICE	Indicates a hazardous situation which, if not avoided, could result in damage to the unit.
▲HYGIENE	Indicates important precautions for hygiene and food safety.
IMPORTANT	Indicates important information about the use and care of the unit.

This icemaker uses HFC-free refrigerant (propane) that is a non-ozone-depleting and environmentally sustainable material having very low global warming potential.

▲WARNING	
This icemaker contains flammable refrigerant in its cooling unit; installation, handling, servicing and disposal must therefore only be carried out by authorized technicians.	
The refrigerant contained in this icemaker is flammable and sealed in the refrigeration system. Although the refrigerant does not leak out under normal usage, take utmost care when handling this icemaker so as not to cause any damages to the system.	
In the case of accidental damage to the refrigeration system causing refrigerant leak:	
<ul style="list-style-type: none"> * Do not create a source of ignition in the area. * Do not operate electrical switches or plugs in the area. * Do not use naked flame. * Immediately ventilate the area by opening doors and/or windows. * Call service engineer. 	

IMPORTANT	
This booklet is an integral and essential part of the product and should be kept and preserved by the user.	
Please read carefully the guidelines and warnings contained herein as they are intended to provide the user with essential information for the continued safe use and maintenance of the product. In addition, it provides GUIDANCE ONLY to the user on the correct services and site location of the icemaker.	
Please preserve this booklet for any further consultation that may be necessary.	

⚠ WARNING

This is a commercial icemaker, and should be destined only to be used for the purpose for which it has been expressly designed and attached to a suitable storage bin as specified by Hoshizaki.

Any other use should be considered improper and therefore dangerous. The manufacturer will not be held liable or responsible for any damage caused by improper, incorrect and unreasonable use.

The installation, and relocation if necessary, must be carried out by qualified personnel, in accordance with current regulations, according to the manufacturer's instructions.

Keep ventilation openings, in the appliance enclosure or in the built-in structure, clear of obstruction.

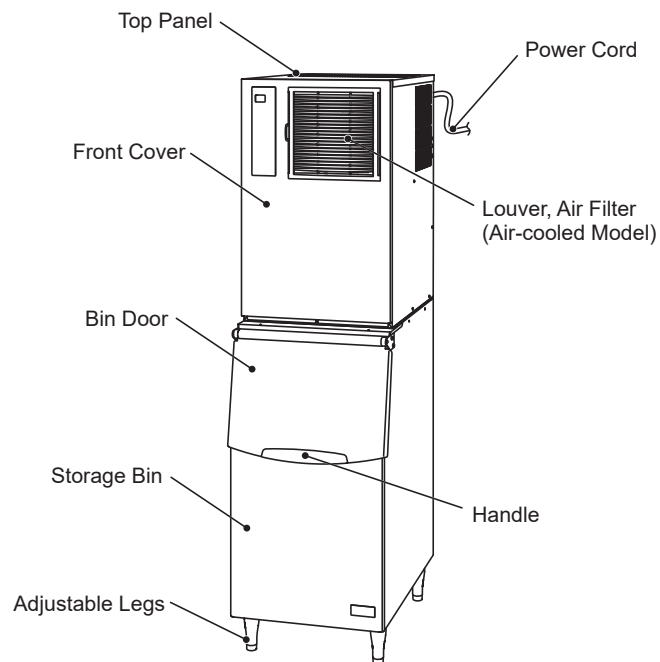
Do not use mechanical devices or other means to accelerate the defrosting process, other than those recommended by the manufacturer.

The use of any electrical appliance involves the observance of some fundamental rules. In particular:

- * Instances of high humidity and moisture increase the risk of electrical short circuits and potential electrical shocks. If in doubt, disconnect the icemaker.
- * Do not damage the power cord or pull it in order to disconnect the icemaker from the electrical supply network.
- * If the supply cord is damaged, it must be replaced by a replacement cord available from Hoshizaki Parts/Service Centres.
- * Do not touch the electrical parts or operate the switches with damp hands.
- * This appliance is not intended for use by persons (including children) with reduced physical, sensory or mental capabilities, or lack of experience and knowledge, it can however be used by children aged from 8 years and above and persons with reduced physical, sensory or mental capabilities, or lack of experience and knowledge providing they have been given supervision or instruction concerning use of the appliance by a person responsible for their safety.
- * Children shall not play with the appliance.
- * Cleaning and user maintenance shall not be made by children without supervision.
- * Do not attempt to modify the icemaker. Only qualified personnel may disassemble or repair the appliance.

I. INSTALLATION INSTRUCTIONS

1. CONSTRUCTION



2. LOCATION

⚠ WARNING

This icemaker is not intended for outdoor use.

The icemaker should not be located next to ovens, grills or other high heat producing equipment.

This appliance is not suitable for installation in an area where a water jet could be used.

In some high humidity environments, condensation may form inside the machine and drip onto the floor. Do not install where the floor can be affected by water.

⚠ CAUTION

The location should provide a firm and level foundation for the icemaker.

NOTICE

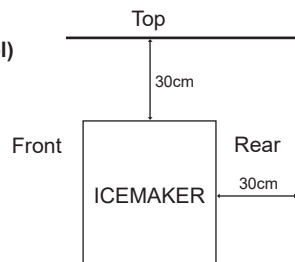
Do not place anything on top of the icemaker or in front of the louver.

IMPORTANT

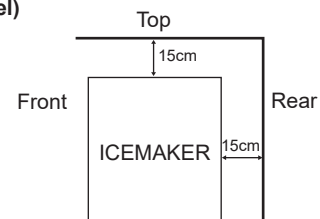
Normal operating ambient temperature should be within 1°C to 40°C. Water connection is cold water only. Operation of the icemaker, for extended periods, outside of these normal temperature ranges may affect production capacity.

Allow the clearance specified below for proper air circulation and ease of maintenance and/or service should they be required.

**Side View
(Air-cooled model)**



**Side View
(Water-cooled model)**



Avoid prolonged exposure of the appliance to direct sunlight.

3. ELECTRICAL CONNECTIONS

⚠ WARNING

THIS APPLIANCE MUST BE EARTHED

This icemaker requires an earth that meets the national and local electrical code requirements.

Disconnect the main power supply before any maintenance, repairs or cleaning is undertaken.

* The main control box fuse is rated at 5A and should only be replaced by a qualified service engineer.

* Usually an electrical permit and services of a licensed electrician are required.

For the U.K. and the Republic of Ireland only

* The wires in the mains lead are coloured in accordance with the following code:

Green & Yellow = Earth

Blue = Neutral

Brown = Live

As the colours of the wire in the mains lead of this appliance may not correspond with the coloured markings identifying the terminals in your plug, proceed as follows:

The wire which is coloured Green-and-Yellow must be connected to the terminal in the plug which is marked with the letter E or by the symbol \perp or coloured Green or Green-and-Yellow. The wire which is coloured Blue must be connected to the terminal which is marked with the letter N or coloured Black. The wire which is coloured Brown must be connected to the terminal which is marked with the letter L or coloured Red.

* Should the socket outlets in the installation site not be suitable for the plug supplied with your product, the plug must be removed (cut off if it is moulded on plug) and an appropriate plug fitted.

If the non-rewirable plug has been cut from the power supply cord, it must be disposed of. There should be no attempt to reuse it. Inserting such a plug into a socket elsewhere presents a serious risk of electrical shock.

* The non-rewirable plug must never be used without a fuse cover being fitted.

The correct replacement for the detachable fuse cover is identifiable from the manufacturer's reference number stamped on the plug.

Supply of replacement fuse covers can be obtained from Hoshizaki Parts/Service Centres.

Fuses should be rated at 13A and approved to BS 1362.

4. WATER SUPPLY AND DRAIN CONNECTIONS

⚠ WARNING

Connect to potable cold water supply only.

* The connections to the mains water supply must be made in accordance with the countries' current requirements of the Water Supply or Water Fittings Regulations.

* Icemaking water must be potable water. Where scaling can be caused by water quality:

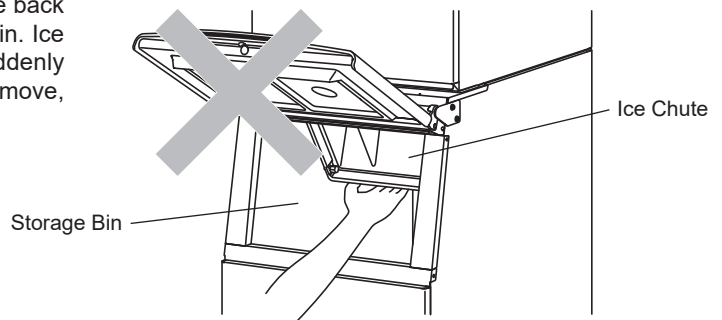
- Installation of an external filter or softener is recommended. Contact your local water treatment professional or Hoshizaki service agent.
- Change to the "full drain flush" mode is recommended. Contact your local Hoshizaki service agent.

* A plumbing permit and services of a licensed plumber may be required in some areas.

II. OPERATING INSTRUCTIONS

⚠ CAUTION

Do not step into the storage bin, or put your hands into the back of the storage bin or the ice chute on top of the storage bin. Ice may drop off the icemaker, a hard block of ice may suddenly break down, or the icemaking mechanism may suddenly move, resulting in injury.



NOTICE

All parts are factory-adjusted. Improper adjustments may result in failure.

If the unit is turned off, wait for at least 3 minutes before restarting the icemaker to prevent damage to the compressor.

⚠ HYGIENE

This icemaker is designed to produce edible ice. To keep the icemaker hygienic:

- * Wash your hands before removing ice. Use the plastic scoop provided (accessory).
- * The storage bin is for ice use only. Do not store anything else in the bin nor use other electrical appliances in the bin.
- * Clean the storage bin before use (see "III. 1. CLEANING").
- * Keep the scoop clean. Clean it by using a neutral cleaner and rinse thoroughly.
- * Close the door after removing ice to prevent entrance of dirt, dust or insects into the storage bin.

1. START UP

The installer will normally commission the icemaker to start the automatic icemaking process. To ensure continuous operation, make sure that:

- * The water supply tap is on, and
- * The icemaker is connected to the power supply.

2. PREPARING THE ICEMAKER FOR LONG STORAGE

NOTICE

This icemaker will not work at subfreezing temperatures. To prevent damage to the water supply line, drain the icemaker when air temperature is below zero.

⚠ HYGIENE

When shutting down the icemaker for two or more days, drain the icemaker to prevent contamination in the water circuit.

- 1) Unplug the icemaker or disconnect the power supply.
- 2) Close the water supply tap, and remove the inlet hose.
- 3) Remove all ice from the storage bin, and clean the bin.
- 4) Ask for draining of the icemaker by professional qualified personnel.

ENGLISH

III. MAINTENANCE

1. CLEANING

⚠ WARNING

Before carrying out any cleaning or maintenance operations, unplug the icemaker from the electrical supply network.

This appliance must not be cleaned by use of a water jet.

⚠ CAUTION

When using a neutral cleaner or sodium hypochlorite, thoroughly read and understand the instructions provided to prevent potential health problems.

NOTICE

Ask a trained service person to clean and sanitise the icemaker water system at least twice a year and to check and clean the condenser at least once a year.

To prevent possible damage, do not clean the plastic parts with water above 40°C or in a dishwasher.

[a] Machine and Bin Exterior

Wipe the exterior at least once per week with a clean, soft cloth. Use a damp cloth containing a neutral cleaner to wipe off grease or dirt.

[b] Scoop and Storage Bin Handle Cleaning/Sanitisation (Daily)

1) Either mix 1 litre of water with 4 ml of 5.25% sodium hypochlorite solution in a suitable container, or the recommended Hoshizaki sanitiser as directed.

2) Soak the scoop in the solution for more than 3 minutes. Rinse thoroughly, and shake to remove surplus liquid.

Note: Using a cloth to dry may re-contaminate.

3) Use a neutral cleaner to wash the storage bin handle. Rinse thoroughly.

4) Soak a clean cloth with the sanitising solution, and wipe the handle. Use fresh water and a clean cloth to rinse/dry.

[c] Storage Bin Interior Cleaning/Sanitisation (Weekly)

1) Open the storage bin door, and remove all ice.

Note: Hoshizaki recommends various types of storage bin for the icemaker which vary in size and design. The following instructions are therefore for general guidance only.

2) Remove the thumbscrews securing the baffle.

3) Remove the baffle from the bin.

4) Wash the bin liner and baffle with a neutral non-abrasive cleaner. Rinse thoroughly.

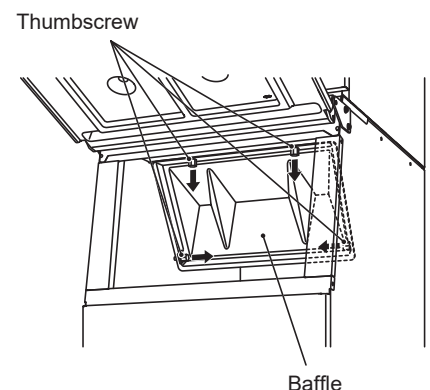
5) Either mix 5 litres of water with 18 ml of 5.25% sodium hypochlorite solution in a suitable container, or the recommended Hoshizaki sanitiser as directed.

6) Soak a clean sponge or cloth with the solution, and wipe the bin liner surfaces and baffle.

7) Refit the baffle and thumbscrews. Wipe the surface of the bin door and thumbscrews with the solution. Close the bin door.

8) The remaining solution can be used to sanitise utensils.

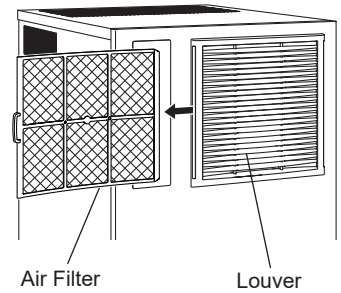
Note: Do not wipe dry or rinse after sanitising, but allow to air dry.



[d] Air Filter (Air-Cooled Model Only)

Plastic mesh air filters remove dirt or dust from the air, and keep the condenser from getting clogged. If the filters get clogged, the icemaker's performance will be reduced. Remove and clean the air filter(s) at least twice per month:

- 1) Slide the air filter off the louver.
- 2) Clean the air filter by using a vacuum cleaner. When severely clogged, use warm water and a neutral cleaner to wash the air filter.
- 3) Rinse and dry the air filter thoroughly.



NOTICE

After cleaning, be sure to place the air filter back in position.

2. BEFORE CALLING FOR SERVICE

⚠ WARNING

Do not damage the refrigerant circuit.

[a] Error Code Indication

If the error code "E" is indicated on the display, before calling for service, check the following.

Code	Remedy
E1	Freeze error. Unplug unit and plug it back in after 3 minutes. Clean air filter (air-cooled model). Lower ambient temperature or ensure adequate clearance around unit (see "I. 2. LOCATION"). If error persists, call for service.
E2	Defrost error. Unplug unit and plug it back in after 3 minutes. If error persists, call for service.
EE	Other error. Unplug unit and plug it back in after 3 minutes. Clean air filter (air-cooled model). Check for water failure or closed water supply tap. Lower ambient temperature or ensure adequate clearance around unit (see "I. 2. LOCATION"). If error persists, call for service.
EF	Possible gas leak. Do not touch the unit. Ventilate the area and immediately call for service.

[b] No Error Code Indication

If the icemaker does not work properly or does not work at all and no error code is indicated on the display, before calling for service, check that:

- * The power is supplied to the unit.
- * The water is turned on.
- * The air filter is clean (air-cooled model).
- * The cooling water circuit has a proper flow (water-cooled model).

For further assistance or advice, contact your local Hoshizaki service agent.

[c] Alarm Code Indication

If the alarm code A1 or A2 appears, the gas sensor may be defective. Contact your local Hoshizaki service agent.

3. DISPOSAL

Comply with local regulations regarding disposal of this appliance and its refrigerant gas. Before you scrap the appliance, take off the door to prevent children trapped.

Correct disposal of this product:

This marking indicates that this product should not be disposed with other household wastes throughout the EU. To prevent possible harm to the environment or human health from uncontrolled waste disposal, recycle it responsibly to promote the sustainable reuse of material resources. To return your used device, use the return and collection systems or contact the retailer where the product was purchased. They can take this product for environmental safe recycling.



ENGLISH

4. WARRANTY

Hoshizaki warrants to the original owner/user that all Hoshizaki branded products shall be free of defects in material and/or workmanship for the duration of the "warranty period". The warranty shall be effective for two years from the date of installation. Hoshizaki's liability under the terms of the warranty are limited and shall exclude routine servicing, cleaning, essential maintenance and/or repairs occasioned by misuse and installations not in accordance with Hoshizaki guidelines.

Warranty repairs should be completed by an approved Hoshizaki dealer or service agency using genuine Hoshizaki components.

To obtain full details of your warranty and approved service agency, please contact your dealer/supplier, or the nearest Hoshizaki Service office:

Europe, Middle East, Africa

Hoshizaki UK - UK, Ireland
TEL: +44 845 456 0585
FAX: +44 132 283 8331
uksales@hoshizaki.uk

Hoshizaki Middle East - Middle East
TEL: +971 48 876 612
FAX: +971 48 876 613
sales@hoshizaki.ae

Hoshizaki Deutschland - Germany, Switzerland, Austria,
Poland, Czech Republic, Slovakia
TEL: +49 5121 697370
FAX: +49 5121 6973719
vertrieb@hoshizaki.de

Hoshizaki Benelux - Netherlands, Belgium, Luxembourg
TEL: +31 85 018 83 70
info@hoshizaki.nl

Hoshizaki France - France
TEL: +33 1 48 63 93 80
FAX: +33 1 48 63 93 88
info@hoshizaki.fr

Hoshizaki Italia - Italy
TEL: +39 344 0616467
TEL: +39 348 3022156
info@hoshizaki.it

Hoshizaki Iberia - Spain, Portugal
TEL: +34 93 478 09 52
FAX: +34 93 478 08 00
info@hoshizaki.es

Hoshizaki Europe B.V. - all other countries within Europe and
Africa
TEL: +31 20 6918499
FAX: +31 20 6918768
sales@hoshizaki.nl

Asia, Oceania

Hoshizaki Singapore
TEL: +65 6225 2612
FAX: +65 6225 3219
sales@hoshizaki.com.sg (Sales)
serviceadmin@hoshizaki.com.sg (Technical support)

Hoshizaki Hong Kong
TEL: +852 2866-2108
FAX: +852 2866-2109

Hoshizaki Taiwan
TEL: +886 2 2706 8818
FAX: +886 2 2708 7999

Hoshizaki Lancer
TEL: +61 8 8268 1388
FAX: +61 8 8268 1978

SPECIFICATIONS

Model	IM-130ANE-HC	IM-240ANE-HC
Type	Air-cooled, cube ice	Air-cooled, cube ice
Power Supply	1 phase 220 - 240V 50Hz	1 phase 220 - 240V 50Hz
Electric Consumption	635W	930W
Ice Production per 24h	110kg (5mm) / 125kg (15mm) (ambient temp 10°C, water temp 10°C)	195kg (5mm) / 210kg (15mm) (ambient temp 10°C, water temp 10°C)
Dimensions	560mm(W) x 700mm(D) x 880mm(H)	560mm(W) x 700mm(D) x 880mm(H)
Refrigerant	R290, 110g	R290, 147g
Insulation Foam Blowing Agent	N/A	N/A
Weight	Net: 68kg (Gross: 79kg)	Net: 78kg (Gross: 89kg)
Ambient Temp	1 - 40°C	1 - 40°C
Water Supply Temp	5 - 35°C	5 - 35°C
Water Supply Pressure	0.07 - 0.78 MPa (0.7 - 8 bar)	0.07 - 0.78 MPa (0.7 - 8 bar)
Voltage Range	Rated voltage \pm 6%	Rated voltage \pm 6%

Model	IM-240AWNE-HC
Type	Water-cooled, cube ice
Power Supply	1 phase 220 - 240V 50Hz
Electric Consumption	800W
Ice Production per 24h	190kg (5mm) / 205kg (15mm) (ambient temp 10°C, water temp 10°C)
Dimensions	560mm(W) x 700mm(D) x 880mm(H)
Refrigerant	R290, 147g
Insulation Foam Blowing Agent	N/A
Weight	Net: 83kg (Gross: 95kg)
Ambient Temp	1 - 40°C
Water Supply Temp	5 - 35°C
Water Supply Pressure	0.07 - 0.78 MPa (0.7 - 8 bar)
Voltage Range	Rated voltage \pm 6%

Note: The above specifications are for the representative models.

DÔLEŽITÉ BEZPEČNOSTNÉ INFORMÁCIE

Táto príručka upozorňuje na dôležité situácie, ktoré môžu mať za následok zranenie alebo smrť používateľa. Upozorňuje i na možné poškodenie zariadenia.

VAROVANIE	Označuje nebezpečnú situáciu, ktorej je potrebné sa vyhnúť inak môže mať za následok zranenie alebo smrť
POZOR	Označuje nebezpečnú situáciu, ktorej pokiaľ nie je zabránené môže viesť k ľahkému zraneniu
UPOZORNENIE	Označuje situáciu, ktorej pokiaľ nie je zabránené môže viesť k poškodeniu zariadenia
HYGIENA	Označuje dôležité bezpečnostné opatrenia týkajúce sa hygieny a bezpečnosti potravín
DÔLEŽITÉ	Označuje dôležité informácie o bezpečnosti stroja a jeho využitia

Stroj na výrobu ľadu používa chladivo bez HFC (propán), ozónu šetrnú a dlhotrvajúcu látku, ktorá má veľmi malý vplyv na globálne otepľovanie.

▲VAROVANIE

Keďže chladiaca jednotka stroja na výrobu ľadu obsahuje horľavé chladivá, jej inštaláciu, manipuláciu, údržbu a likvidáciu smú vykonávať len autorizovaní technici.

Chladivo v tomto stroji na výrobu ľadu je horľavé a je uzavreté v chladiacom systéme. Aj keď za normálnych prevádzkových podmienok nehrozí únik chladiva, manipulujte s prístrojom na výrobu ľadu mimoriadne opatrne, aby nedošlo k poškodeniu systému.

V prípade úniku chladiva v dôsledku náhodného poškodenia chladiaceho systému:

- * Zakážete akékoľvek iskry alebo žeravé teleso v blízkosti.
- * V blízkosti nepoužívajte vypínač ani elektrickú zásuvku.
- * Nepoužívajte otvorený plameň.
- * Ihneď vyvetrajte miestnosť otvorením dverí a/alebo okien.
- * Zavolajte servisného technika.

DÔLEŽITÉ

Táto brožúra je základným prvkom, ktorý je neoddeliteľnou súčasťou produktu a používateľ si ju musí starostlivo uschovať.

Pozorne si prečítajte rady a upozornenia, ktoré obsahuje, pretože majú používateľovi poskytnúť základné informácie pre správne používanie a údržbu produktu. Okrem toho poskytuje používateľovi INDIKÁCIE o správnom použití a umiestnení stroja na výrobu ľadu.

Uschovajte si túto brožúru na bezpečnom mieste pre budúce použitie.

▲VAROVANIE

.Tento výrobnik na ľad je určený iba na komerčné využitie a musí byť používaný iba na tieto účely.

Akékoľvek iné použitie tohto zariadenia je považované za nevhodne a preto i nebezpečné. Výrobca nie je zodpovedný za škody spôsobené nesprávnym a neprimeraným spôsobom použitia

Inštalácia a spustenie výrobníka na ľad by mala byť vykonaná kvalifikovaným technikom, v súlade s platnými predpismi a pokynmi výrobcu.

Uistite sa, že vetracie otvory a všetky ovládacie časti prístroja nie sú zakryté.

Na urýchlenie procesu rozmrazovania nepoužívajte iné mechanické zariadenia alebo metódy ako tie, ktoré odporúča výrobca.

Použitie akéhokoľvek elektrického spotrebiča vyžaduje dodržiavanie určitých základných pravidiel. Obzvlášť :

* V prípade vlhkosti stúpa riziko elektrického skratu a možnosti zasiahnutia.

Zariadenie odpojte od prívodu elektrickej energie

* Nepoškodujte elektrický kábel, ani za kábel neľahajte zariadenie. V prípade poškodenia kábla odpojte zariadenie od prívodu elektrickej energie

* Nedotýkajte sa elektrických dielov a neprepínajte prepínače s mokrými rukami.

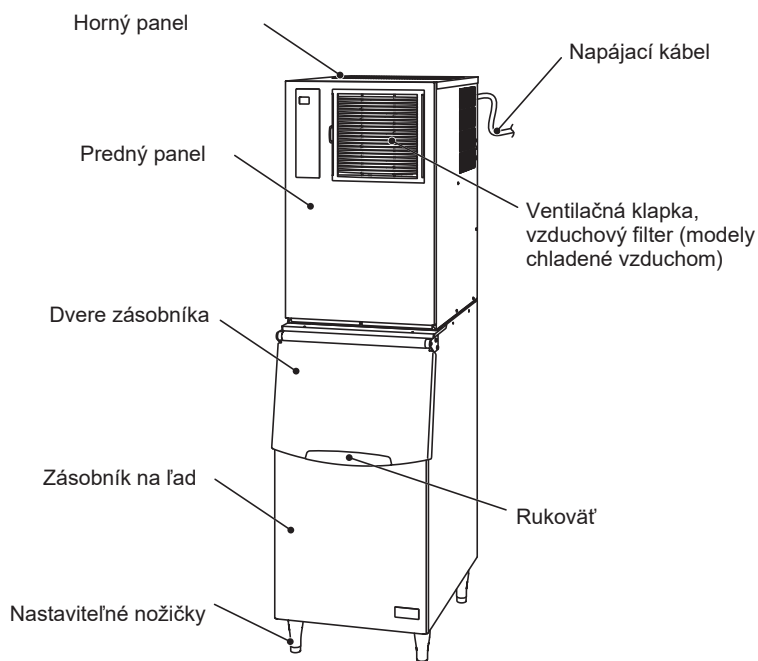
* Tento prístroj nie je určený na používanie osobami (vrátane detí) s obmedzenými fyzickými, zmyslovými alebo duševnými schopnosťami, ktorých skúsenosti a znalosti sú obmedzené. Všetky tieto osoby smú zariadenie používať iba pod dohľadom osoby zodpovednej za ich bezpečnosť.

Zodpovedná osoba môže taktiež osoby na používanie týchto zariadení poučiť. * Dohliadajte prosím na malé deti, aby sa nehrali s prístrojom

* Nepokúšajte sa sami opravovať výrobnik na ľad. Tento stroj môže byť opravený iba školeným technikom.

I. POKYNY K INŠTALÁCIÍ

1. KONŠTRUKCIA



2. POLOHA

▲ VAROVANIE

Zariadenie nie je určené na vonkajšie použitie.

Zariadenie by nemalo byť umiestnené vedľa grilu, rúry alebo iných zdrojov tepla.

Toto zariadenie nie je určené na inštaláciu do prostredia bez stabilného tlaku vody.

Vo veľmi vlhkom prostredí môže prísť ku korózii zariadenia. Neinštalujte zariadenie priamo na podlahu, kde môže prísť do kontaktu s vodou a vzniknúť tak korózia na zariadení.

▲ POZOR

Zariadenie je nutné inštalovať na pevný podklad.

UPOZORNENIE

Nepokladajte žiadne predmety na zariadenie, ani nezakrývajte mriežky filtrov

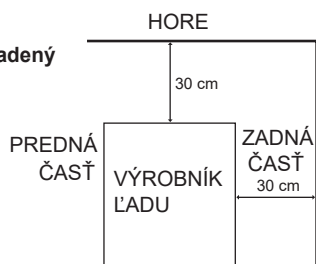
DÔLEŽITÉ

Normálna okolitá teplota pre prevádzku stroja je medzi 1°C až 40°C. Normálna teplota vody pre prevádzku zariadenia musí byť medzi 5°C až 35°C.

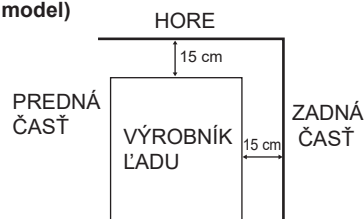
Pri vyšších teplotách sa môže predĺžiť čas výroby ľadu u zariadenia a znížiť výrobná kapacita.

Aby ste zabezpečili dobrú cirkuláciu vzduchu a uľahčili údržbu alebo servis, zabezpečte voľný priestor zobrazený nižšie.

**Bočný pohľad
(Vzduchom chladený
model)**



**Bočný pohľad
(vodou chladený model)**



Zabráňte dlhodobému vystaveniu zariadenia priamemu slnečnému žiareniu.

3. ELEKTRICKÉ PRIPOJENIA

⚠ VÝSTRAHA

TOTO ZARIADENIE MUSÍ BYŤ UZEMNENÉ

Tento stroj na výrobu ľadu musí byť uzemnený, aby spĺňal národné a miestne elektrické predpisy..

Pred akoukoľvek údržbou, opravou alebo čistením odpojte napájanie.

- * Poistka hlavnej riadiacej skrinky je dimenzovaná na 5A a mal by ju vymeniť iba kvalifikovaný servisný technik.
- * Vo všeobecnosti si inštalácia vyžaduje povolenie na elektrikárske práce a služby kvalifikovaného elektrikára.

Platí pre Spojené kráľovstvo a Írsku republiku

* Časti napájacieho kábla majú nasledujúce farebné označenie:

Žlto-zelený = uzemnenie

Modrá = neutrálny

Hnedý = prúd

Farba vodičov napájacieho kábla tohto spotrebiča nemusí zodpovedať značeniu farebných bodov vašej zásuvky. V tomto prípade sa postupuje nasledovne :

Zeleno-žltý, musí byť pripojený ku svorke zástrčky označenej písmenom E alebo symbolom \perp alebo zelený alebo zeleno- žltý vodič. Modrý vodič musí byť pripojený na svorku s písmenom N alebo čiernou farbou. Hnedý vodič musí byť pripojený ku svorke s písmenom L alebo červenou farbou..

* Ak je napájací kábel s vidlicou dodávaný ku stroju a nie je vyhovujúci na lokálnu inštaláciu. Kábel prerežte a zapojte podľa opisu vyššie.

*Odstránená zástrčka musí byť zlikvidovaná. V žiadnom prípade sa nemôže opätovne použiť. Vloženie tohto typu zástrčky do inej zásuvky môže spôsobiť vážny zásah elektrickým prúdom.

* Zástrčka, ktorá nie je opätovne pripojiteľná, nesmie byť nikdy použitá bez ochrannej poistky.

* Referenčné číslo vymeniteľnej poistky je vytlačené na zástrčke. Použite tento odkaz pri objednávaní náhradných dielov.

* Náhradné chrániče a poistky je možné zakúpiť v náhradných dieloch a servisných strediskách

* Hoshizaki.

* Menovitá kapacita poistiek musí byť 13 A; a musia byť schválené podľa BS 1362..

4. PRIPOJENIE VODY A ODPADU

⚠ VÝSTRAHA

Pripojte iba k prívodu studenej pitnej vody.

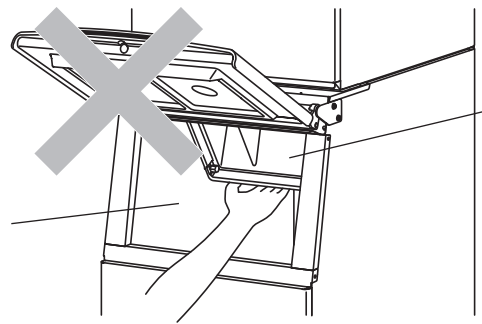
- * Pripojenie k zdroju vody musí byť vykonané v súlade s národnými požiadavkami a predpismi o dodávke vody alebo normách pre armatúry
- * Tlak prívodu vody musí byť najmenej 0,07 MPa (0,7 bar) a maximálne 0,78 MPa (8 barov). Ak tlak presahuje 0,78 MPa (8 barov), použite vhodný redukčný ventil a znižujte tok prívodného tlaku vody.
- * V niektorých oblastiach môže byť potrebné získať povolenie na vykonávanie inštalácie a na inštaláciu používajte licencovaného inštalatéra.

II. NÁVOD NA POUŽÍVANIE

⚠ POZOR

Nedávajte ruky do zadnej časti zásobníka alebo do ľadového žlabu na hornej časti zásobníka. Zo stroja môže dôjsť k pádu ľadu, tvrdý plát ľadu sa môže náhle zlomiť alebo mechanizmus na výrobu ľadu sa môže náhle pohnúť a spôsobiť zranenie..

Zásobník



Výtokový
žlab ľadu

UPOZORNENIE

Všetky diely sú nastavené z výroby a nezasahjte do nich. V opačnom prípade môže dôjsť k poruche.

Po vypnutí napájania počkajte aspoň 3 minúty, kým stroj opäť zapnete, aby ste predišli poškodeniu kompresora

⚠ HYGIENA

Tento stroj na výrobu ľadu je určený na výrobu jedlého ľadu. Udržiavajte ho v dokonalom hygienickom stave :

- * Pred vybratím ľadu si umyte ruky. Na tento účel použite plastovú lopatku (príslušenstvo).
- * Zásobník je určený len pre ľad. V tomto zásobníku nič iné neuchovávajte a nepoužívajte ani iné elektrické zariadenia.
- * Pred použitím stroja najskôr vyčistite zásobník (pozrite si časť "1. ČISTENIE").
- * Udržujte lopatku čistú. Vyčistite neutrálnym čistiacim prostriedkom a dôkladne ju opláchnite.
- * Po odstránení ľadu zatvorte dverka, aby sa zabránilo vniknutiu nečistôt, prachu alebo vniknutiu hmyzu do zásobníku.

1. ZAČÍNAME

Inštalatér zvyčajne uvedie stroj na výrobu ľadu do prevádzky, aby spustil automatickú výrobu ľadu. Na zabezpečenie nepretržitej prevádzky sa uistite, že:

- * Prívodný ventil vody je otvorený
- * Stroj na výrobu ľadu je pripojený k napájacemu zdroju.

2. PRÍPRAVA VÝROBNÍKA ĽADU NA DLHODOBÉ SKLADOVANIE

UPOZORNENIE

Zariadenie na ľad nefunguje pri teplotách nižších ako nula. Aby ste predišli poškodeniu vodovodného potrubia, vypustite stroj na ľad, keď je teplota vzduchu nižšia ako nula.

⚠ HYGIENA

Ak je zariadenie na výrobu ľadu vypnuté najmenej dva dni, vypustite ho, aby ste predišli kontaminácii vodného okruhu.

- 1) Odpojte výrobník ľadu alebo vypnite napájanie.
- 2) Zatvorte vodovodný kohútik a vyberte prívodnú hadicu.
- 3) Odstráňte všetok ľad zo zásobníka a vyčistite zásobník.
- 4) Odpojte výrobník ľadu s pomocou kvalifikovaného technika.

III. ÚDRŽBA

1. ČISTENIE

⚠ VAROVANIE

Pred akýmkoľvek čistením alebo údržbou odpojte napájanie stroja na výrobu ľadu.

Toto zariadenie sa nesmie čistiť prúdom vody.

⚠ POZOR

Ak používate neutrálny výrobok alebo chlórnan sodný, prečítajte si pokyny uvedené v tomto návode, aby ste predišli možným zdravotným problémom.

UPOZORNENIE

Vodný systém stroja na výrobu ľadu nechajte vyčistiť a dezinfikovať kvalifikovaným technikom aspoň dvakrát do roka a kondenzátor nechajte skontrolovať a vyčistiť aspoň raz za rok.

Aby ste predišli možnému poškodeniu, nečistite plastové časti zariadenia s vodou viac ako 40°C.

[a] Vonkajšia časť stroja a podnos

Vonkajší povrch utrite aspoň raz týždenne mäkkou, čistou handričkou. Na odstránenie stôp mastnoty alebo nečistôt použite handričku namočenú v neutrálnom čistiacom prostriedku.

[b] Vyčistite/dezinfikujte naberačku a rukoväť zásobníka (denne)

- 1) Zmiešajte 1 liter vody so 4 ml 5,25% roztoku chlórnanu sodného vo vhodnej nádobe alebo použite dezinfekčný prostriedok Hoshizaki podľa návodu na použitie prípravku.
- 2) Lopatu ponorte do roztoku na viac ako 3 minúty. Dôkladne opláchnite a pretrepte, aby ste odstránili prebytočnú tekutinu. Poznámka: sušenie s handričkou môže spôsobiť ďalšiu kontamináciu.
- 3) Na vyčistenie rukoväte zásobníka použite dezinfekčný prípravok.
- 4) Namočte čistú handričku do dezinfekčného roztoku a utrite rúčku. Opláchnite čistou vodou a vysušte čistou handričkou.

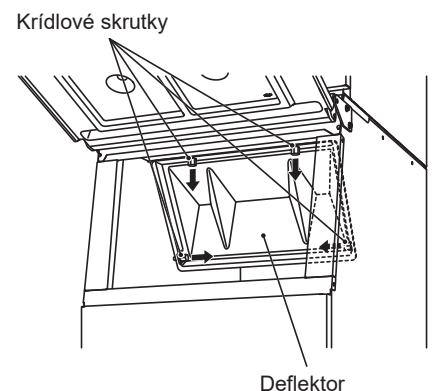
c] Čistenie/dezinfekcia vnútra zásobníka (týždenne)

- 1) Otvorte dverka zásobníka a odstráňte všetok ľad.

Poznámka: Hoshizaki odporúča pre stroj na výrobu ľadu rôzne typy skladovacích nádob, vrátane veľkosti a dizajnu sa môže líšiť. Nasledujúce pokyny sú preto len orientačné.

- 1) Otvorte dverka úložného priestoru a odstráňte všetok ľad.
- 2) Umývajte vnútorné časti neutrálnym, neabrazívnym čistiacim prostriedkom. Dôkladne opláchnite.
- 3) Namočte čistú handru do neutrálneho čistiaceho prostriedku a utrite obidve strany zásobníka a vnútorný povrch dverí. Čistiaci prostriedok odstráňte čistou vlhkou handričkou.
- 4) Zmiešajte 5 litrov vody s 18 ml 5,25% roztoku chlórnanu sodného vo vhodnej nádobe alebo použite dezinfekčný prostriedok Hoshizaki podľa návodu na použitie na výrobku.
- 5) Namočte čistú špongiu alebo handričku do roztoku a utrite tesnenie, dverka zásobníka a stenu zásobníka.
- 6) Zvyšok roztoku je možné použiť na dezinfekciu riadu.

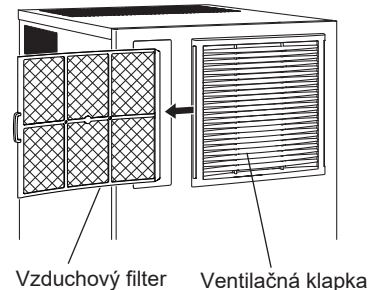
Poznámka : Po dezinfekcii neutierajte ani nevyplachujte. Nechajte vyschnúť na vzduchu.



[d] Vzduchový filter (iba vzduchom chladený model)

Plastové vzduchové filtre umožňujú filtrovanie nečistôt a prachu zo vzduchu, čo zabraňuje upchatiu kondenzátora. Ak sú filtre zanesené, bude ovplyvnený výkon zariadenia na ľad. Skontrolujte a vyčistite vzduchový filter aspoň dvakrát za mesiac:

- 1) Odstráňte vzduchový filter z vodiacej lišty filtra [IM-21CNE / 30CNE] alebo vyťahnutím do strany z vetracieho otvoru [IM-45CNE / 45NE / 65NE / 240NE]
- 2) Na čistenie vzduchového filtra používajte vysávač. V prípade veľkého upchatia umyte vzduchový filter pomocou roztoku horúcej vody a neutrálneho čistiaceho prostriedku.
- 3) Dôkladne opláchnite a vysušte vzduchový filter.



UPOZORNENIE

Po vyčistení nezabudnite vymeniť vzduchový filter na pôvodné miesto.

2. PRED ZAVOLANÍM SERVISU

⚠ VAROVANIE

Dávajte pozor, aby ste nepoškodili chladiaci okruh.

[a] Zobrazenie kódu chyby

Ak sa na obrazovke zobrazí chybový kód „E“, pred volaním servisného technika vykonajte nasledujúce kontroly.

Kód	Riešenie
E1	Chyba zmrazovania. Po 3 minútach odpojte a znova pripojte zariadenie. Vyčistite vzduchový filter (model chladený vzduchom). Znížte teplotu okolia alebo zabezpečte dostatočnú ventiláciu okolo jednotky (pozri "I. 4. LOKALITA"). Ak chyba pretrváva, zavolajte servisného technika.
E2	Chyba rozmrazovania. Po 3 minútach odpojte a znova pripojte zariadenie. Ak chyba pretrváva, zavolajte servisného technika.
EE	Ďalšia chyba. Po 3 minútach odpojte a znova pripojte zariadenie. Vyčistite vzduchový filter (model chladený vzduchom). Skontrolujte, či nie je uzavretý vodný okruh alebo či nie je uzavretý ventil prívodu vody. Znížte teplotu okolia alebo zabezpečte dostatočnú ventiláciu okolo jednotky (pozri "I. 4. LOKALITA"). Ak chyba pretrváva, zavolajte servisného technika.
EF	Možný únik plynu. Nedotýkajte sa zariadenia. Vyvetrajte miestnosť a ihneď zavolajte opravára.

[b] Žiadne zobrazenie chybového kódu

Ak zariadenie na ľad nefunguje správne alebo vôbec nie je na displeji chyba ani sa nezobrazí žiadny chybový kód, pred zavolaním opravárenskej firmy vykonajte nasledujúce kontroly:

- * Zariadenie je zapnuté.
- * Prívod vody je otvorený.
- * Vzduchový filter je čistý (model chladený vzduchom).
- * Prítok v okruhu chladiacej vody je správny (model chladený vodou).

Ak potrebujete ďalšie rady alebo pomoc, obráťte sa na najbližšie servisné stredisko Hoshizaki.

[c] Zobrazenie kódu alarmu

Ak sa zobrazí kód alarmu A1 alebo A2, snímač plynu môže byť chybný. Kontaktujte najbližšieho servisného technika Hoshizaki.

3. LIKVIDÁCIA

Dodržiujte miestne predpisy týkajúce sa likvidácie tohto spotrebiča a jeho chladiaceho média. Pred vyradením spotrebiča vytiahnite dvere, aby ste zabránili uviaznutiu dieťaťa v spotrebiči.

SLOVENSKY

Správna likvidácia tohto produktu:

Tento symbol označuje, že tento výrobok by nemal byť likvidovaný s iným komunálnym odpadom v EÚ. Aby sa zabránilo nekontrolovanému zneškodňovaniu odpadu a poškodzovania životného prostredia alebo zdravia, produkt zodpovedne recyklujte, aby sa materiálne zdroje opätovne používali udržateľným spôsobom. Použitý spotrebič zlikvidujte kontaktovaním servisu alebo sa obráťte na predajcu, kde bol produkt zakúpený. Predajca prevezme tento výrobok a recykluje ho spôsobom šetrným k životnému prostrediu.



4. ZÁRUKA

Spoločnosť Hoshizaki zaručuje pôvodnému majiteľovi / používateľovi, že všetky výrobky označené ochrannou známkou Hoshizaki neobsahujú chyby a / alebo chyby z výroby počas "záručnej lehoty". Záruka je platná dva roky od dátumu inštalácie.

Zodpovednosť spoločnosti Hoshizaki v rámci záruky je obmedzená a vylučuje rutinnú údržbu, čistenie, nevyhnutnú údržbu a / alebo opravy vyplývajúce z nesprávneho použitia a inštalácie, ktoré nespĺňajú pokyny spoločnosti Hoshizaki.

Záručné opravy by mal vykonávať autorizovaný predajca Hoshizaki alebo poskytovateľ služieb, ktorý používa pôvodné komponenty Hoshizaki.

Informácie o záruke a autorizovaných servisných zástupcoch získate u svojho distribútora / dodávateľa alebo v najbližšom servisnom stredisku spoločnosti Hoshizaki:

Slovensko / Rakúsko / Maďarsko / Česká republika
Slovakia / Austria / Hungary / Czech Republic
TEL : +421 948 141 448
sale@hoshizaki.online

Veľká Británia / Írsko
Hoshizaki UK
TEL : +44 845 456 0585
FAX : +44 132 283 8331
uksales@hoshizaki.uk

Nemecko
Hoshizaki Deutschland
TEL : +49 5121 697370
FAX : +49 5121 6973719
vertrieb@hoshizaki.de

Francúzsko
Hoshizaki France
TEL : +33 1 48 63 93 80
FAX : +33 1 48 63 93 88
info@hoshizaki.fr

Španielsko / Portugalsko
Hoshizaki Iberia
TEL : +34 93 478 09 52
FAX : +34 93 478 08 00
info@hoshizaki.es

Ázia, Oceánia
Hoshizaki Singapore
TEL : +65 6225 2612
FAX : +65 6225 3219
sales@hoshizaki.com.sg (ventes)
serviceadmin@hoshizaki.com.sg (support technique)

Hoshizaki Taiwan
TEL : +886 2 2706 8818
FAX : +886 2 2708 7999

Hoshizaki Blízky východ
Hoshizaki Middle East - Moyen-Orient
TEL : +971 48 876 612
FAX : +971 48 876 613
sales@hoshizaki.ae

Belgicko/Luxembursko
Hoshizaki Benelux - Pays-Bas, Belgique, Luxembourg
TEL : +31 85 018 83 70
info@hoshizaki.nl

Taliansko
Hoshizaki Italia - Italie
TEL : +39 344 0616467
TEL : +39 348 3022156
info@hoshizaki.it

Všetky ostatné krajiny v Európe a Afrike
Hoshizaki Europe B.V. - tous les autres pays d'Europe et d'Afrique
TEL : +31 20 6918499
FAX : +31 20 6918768
sales@hoshizaki.nl

Hoshizaki Hong Kong
TEL : +852 2866 2108
FAX : +852 2866 2109

Hoshizaki Lancer
TEL : +61 8 8268 1388
FAX : +61 8 8268 1978

TECHNICKÉ ÚDAJE

Model	IM-130ANE-HC	IM-240ANE-HC
Typ	Vzduchom chladený, kockový ľad	Vzduchom chladený, kockový ľad
Napätie	1 fáza 220 - 240 V 50 Hz	1 fáza 220 - 240 V 50 Hz
Spotreba energie	635 W	930 W
Produkcia ľadu za 24 hodín	110 kg (5 mm) / 125 kg (15 mm) (teplota okolia 10 °C, teplota vody 10 °C)	195 kg (5 mm) / 210 kg (15 mm) (teplota okolia 10 °C, teplota vody 10 °C)
Rozmery	560 mm (Š) x 700 mm (H) x 880 mm (V)	560 mm (Š) x 700 mm (H) x 880 mm (V)
Typ chladiva	R290, 110 g	R290, 147 g
Nafúkaná penová izolácia	Nepoužíva sa	Nepoužíva sa
Váha	Čistá : 68 kg (Hrubá: 79 kg)	Čistá : 78 kg (Hrubá : 89 kg)
Teplota okolia	1 - 40 °C	1 - 40 °C
Teplota prichádzajúcej vody	5 až 35 °C	5 až 35 °C
Tlak prúdu vody	0,07 - 0,78 MPa (0,7 - 8 bar)	0,07 - 0,78 MPa (0,7 - 8 bar)
Rozsah napätia	Menovité napätie ± 6%	Menovité napätie ± 6%

Model	IM-240AWNE-HC
Typ	Vzduchom chladený, kockový ľad
Napätie	1 fáza 220 - 240 V 50 Hz
Spotreba	800 W
Produkcia ľadu za 24 hodín	190 kg (5 mm) / 205 kg (15 mm)(teplota okolia 10 °C, teplota vody 10 °C)
Rozmery	560 mm (Š) x 700 mm (H) x 880 mm (V)
Typ chladiva	R290, 147 g
Nafúkaná penová izolácia	Nepoužíva sa
Váha	Čistá : 83 kg (Hrubá : 95 kg)
Teplota okolia	1 - 40 °C
Teplota prichádzajúcej vody	5 až 35 °C
Tlak prúdu vody	0,07 - 0,78 MPa (0,7 - 8 bar)
Rozsah napätia	Menovité napätie ± 6%

Poznámka: Vyššie uvedené technické špecifikácie platia pre reprezentačné modely.